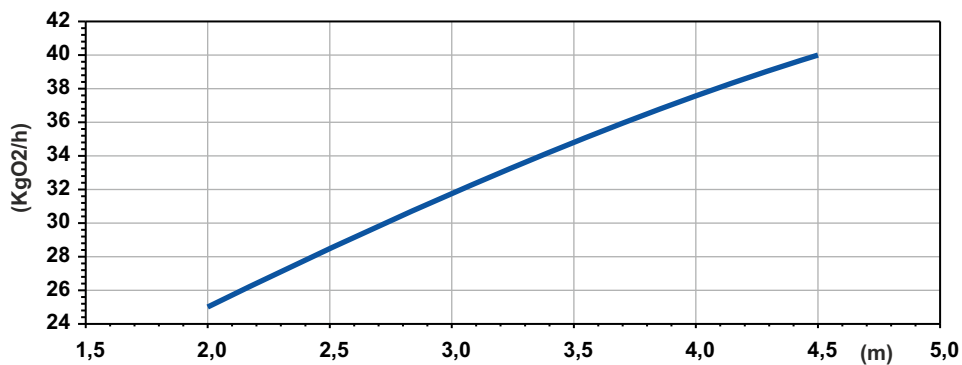
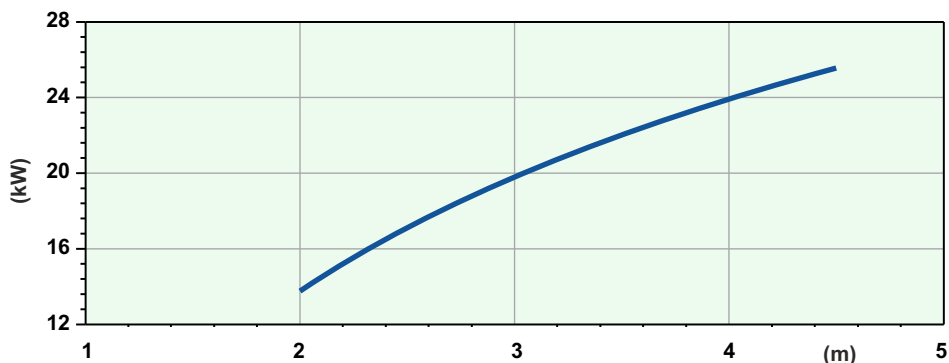


AJ300/LG418R300RA

SOTR



Potenza Assorbita - Absorbed Power P1
 Puissance Absorbée - Leistungsaufnahme P1
 Potencia Absorbida - Поглощенная мощность P1

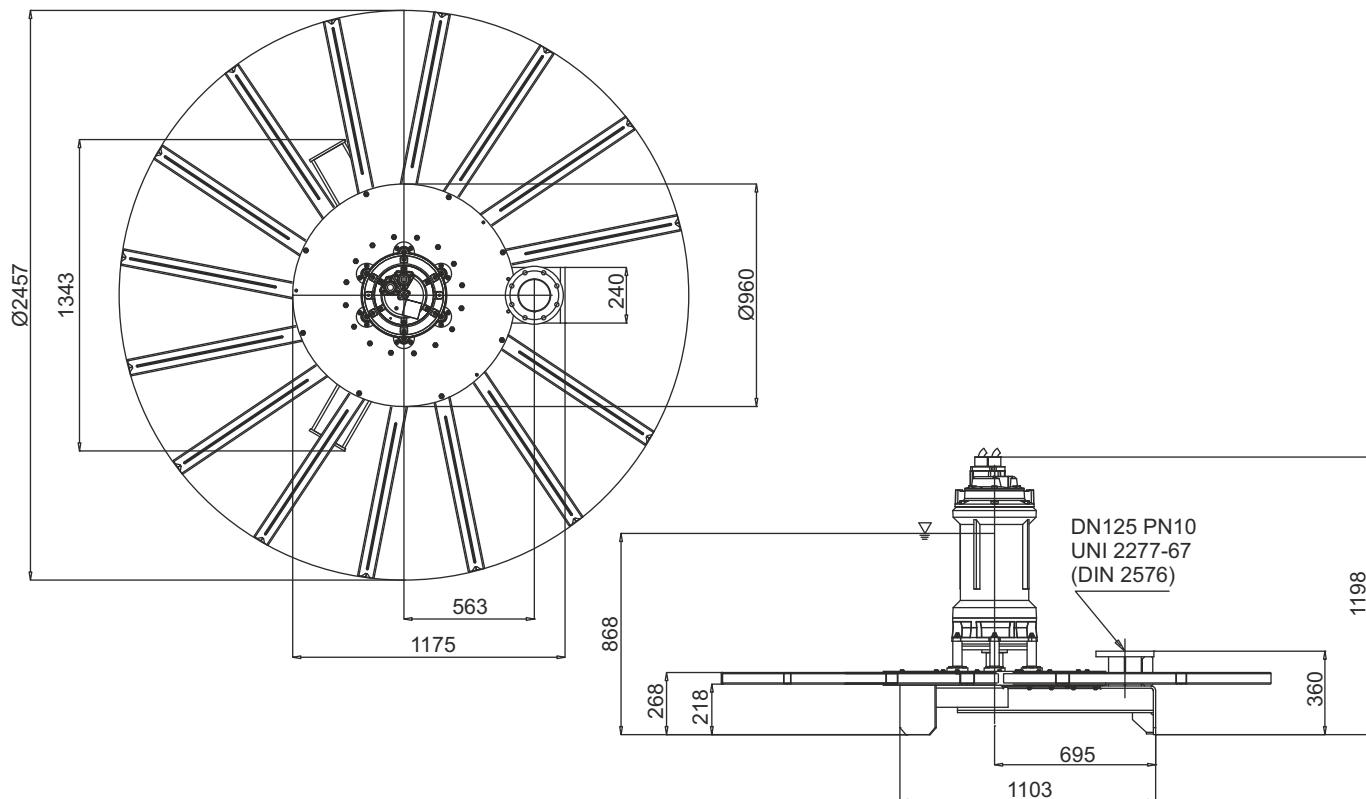


Battente idraulico - Hydraulic head - Charge hydraulique - Hydraulischen Belastung
 Cabezal hidráulico - Аспирированный воздух

Code	5006419
Type	AJ300/LG418R300RA
Suction (mm)	DN125
Free passage (mm)	40x50
Immersion depth (m)	2-4,5
Motor type	M418T-30-400/50YY-IE3
Power supply	3ph 400/690V-50Hz
MOTOR Rotation speed R.P.M.	1450
Rated power P2 (kW)	30
Rated current I (A)	54,3
Starting current Is (A)	320
Weight (Kg)	555
Cable	H07RN/F 2x4G10+4G2,5

SOTR OBTAINED FOLLOWING STANDARD UNI EN 12255-15:2004

Dimensioni - Dimensions - Dimensions - Abmessungen - Dimensiones - Габариты (mm)



LIVELLO MINIMO DI SOMMERGIBILITÀ - MINIMUM SUBMERSIBLE LEVEL - NIVEAU MINIMUM D'IMMERSION
 MINDESTWASSERSTAND - NIVEL SUMERGIBLE MÍNIMO - МИНИМАЛЬНАЯ ГЛУБИНА ПОГРУЖЕНИЯ