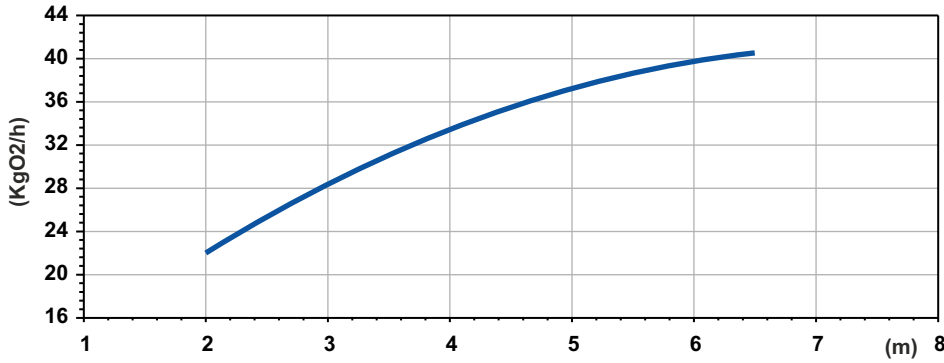
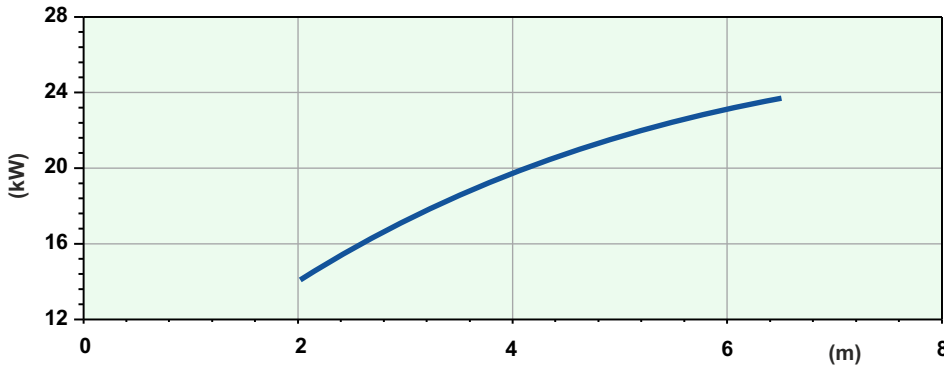


**AJ180/LG418R220PA**

**SOTR**



Potenza Assorbita - Absorbed Power P1  
 Puissance Absorbée - Leistungsaufnahme P1  
 Potencia Absorbida - Поглощенная мощность P1

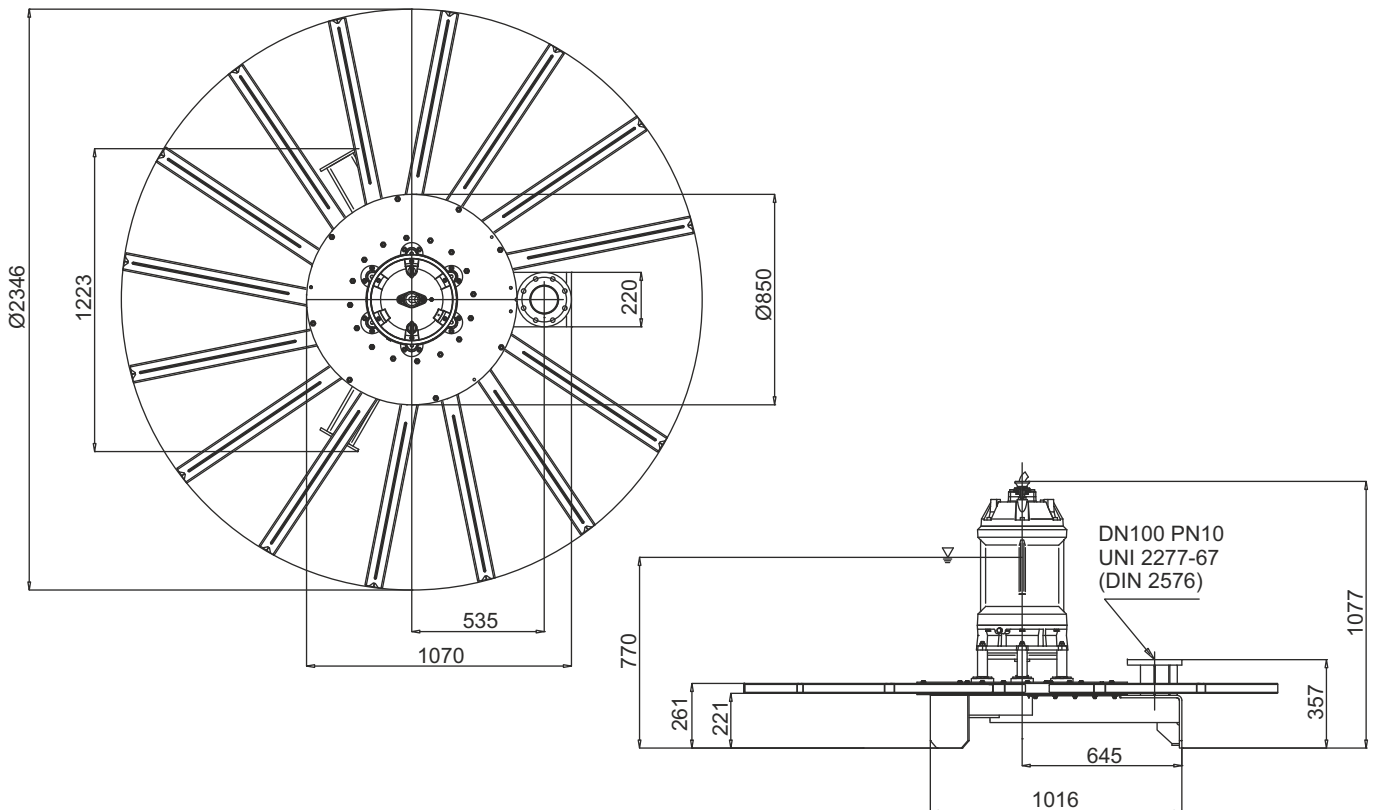


Battente idraulico - Hydraulic head - Charge hydraulique - Hydraulischen Belastung  
 Cabezal hidráulico - Аспирированный воздух

Code	5006381
Type	<b>AJ180/LG418R220PA</b>
Suction (mm)	DN100
Free passage (mm)	30X46
Immersion depth (m)	2-6,5
Motor type	M418T-23,6-400/50YY-IE3
Power supply	3ph 400/690V-50Hz
MOTOR Rotation speed R.P.M.	1441
Rated power P2 (kW)	23,6
Rated current I (A)	43,3
Starting current Is (A)	255
Weight (Kg)	465
Cable	H07RN/F 10G4

SOTR OBTAINED FOLLOWING STANDARD UNI EN 12255-15:2004

**Dimensioni - Dimensions - Dimensions - Abmessungen - Dimensiones - Габариты (mm)**



LIVELLO MINIMO DI SOMMERGIBILITÀ - MINIMUM SUBMERSIBLE LEVEL - NIVEAU MINIMUM D'IMMERSION  
 MINDESTWASSERSTAND - NIVEL SUMERGIBLE MÍNIMO - МИНИМАЛЬНАЯ ГЛУБИНА ПОГРУЖЕНИЯ

