




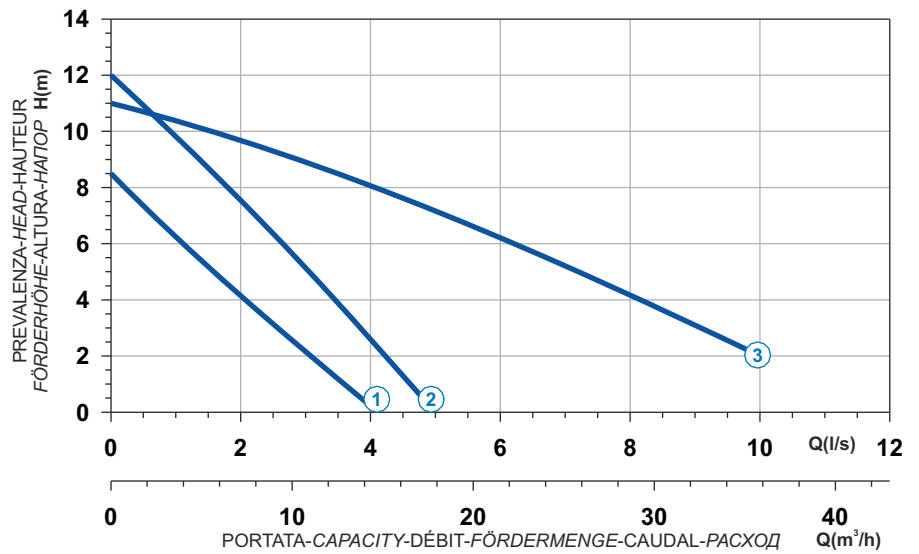
 Acciaio inox
 Acier inoxydable
 Acero inox


 Stainless steel
 Edelstahl
 Нержавеющая сталь

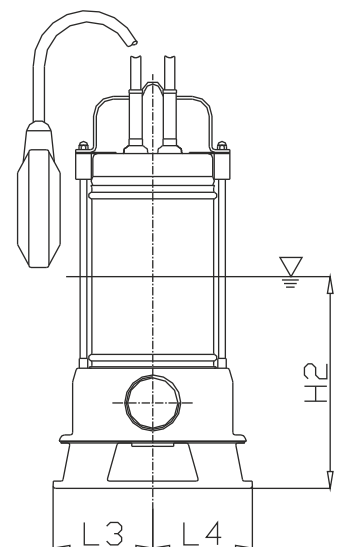
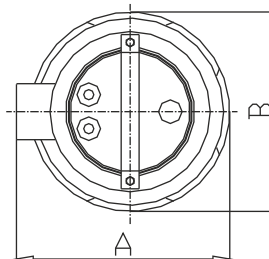
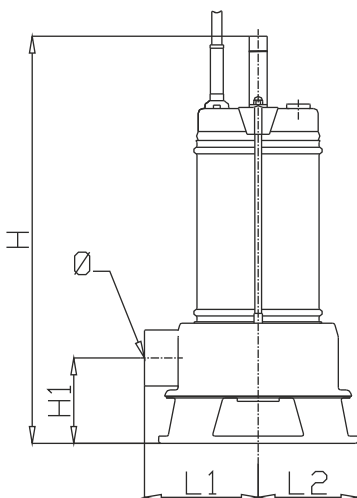
Curva caratteristica - Performance curve - Courbe caractéristique
 Kennlinie - Curva característica - Характеристическая кривая



Curve N°	Code	Type	MOTOR				Free passage (mm)	Discharge	Weight (Kg)
			Power supply	R.P.M.	Rated power P2 (kW)	Rated current I (A)			
1	8008029	LVX-06MB1-40	1ph 230V 50Hz	2850	0,58	3,5	35	1"1/2	7
2	8008031	LVX-09MB1-40	1ph 230V 50Hz	2850	0,9	5,2	30	1"1/2	8,5
3	8008201	LVX-11MB1-50	1ph 230V 50Hz	2850	1,1	7,5	50	2"	16

Dimensioni - Dimensions - Dimensions - Abmessungen - Dimensiones - Габариты (mm)

 LIVELLO MINIMO DI SOMMERGIBILITÀ
 MINIMUM SUBMERSIBLE LEVEL
 NIVEAU MINIMUM D'IMMERSION
 MINDESTWASSERSTAND
 NIVEL SUMERGIBLE MÍNIMO
 МИНИМАЛЬНАЯ ГЛУБИНА ПОГРУЖЕНИЯ



Curve	Code	Type	H	H1	H2	A	B	Ø	L1	L2	L3	L4
1	8008029	LVX-06MB1-40	365	76	195	195	180	1"1/2	105	95	95	95
2	8008031	LVX-09MB1-40	405	76	215	195	180	1"1/2	105	95	95	95
3	8008201	LVX-11MB1-50	480	107	265	230	220	2"	120	110	110	110