
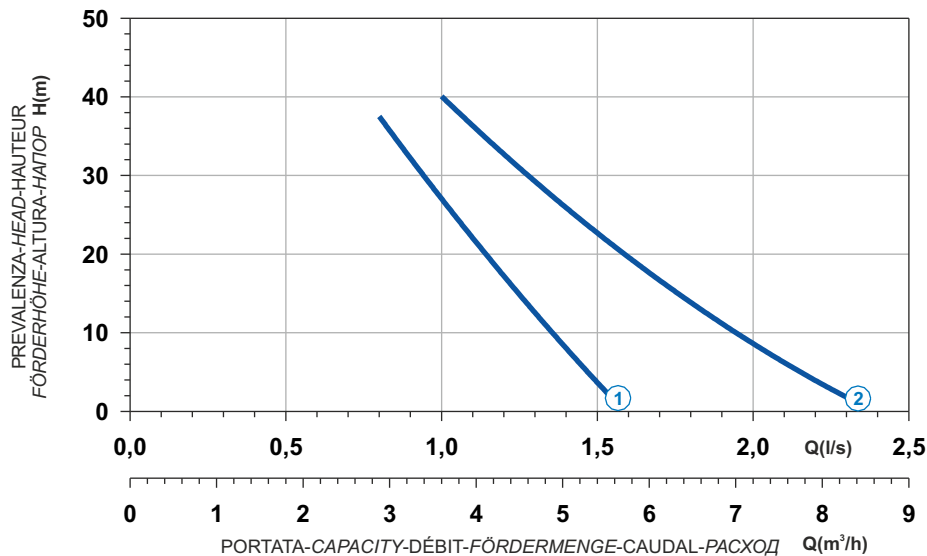

 Ghisa EN-GJL-250
 Fonte EN-GJL-250
 Hierro fundido EN-GJL-250

 Cast Iron EN-GJL-250
 Grauguss EN-GJL-250
 Чугун EN-GJL-250

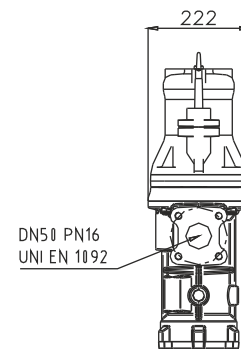
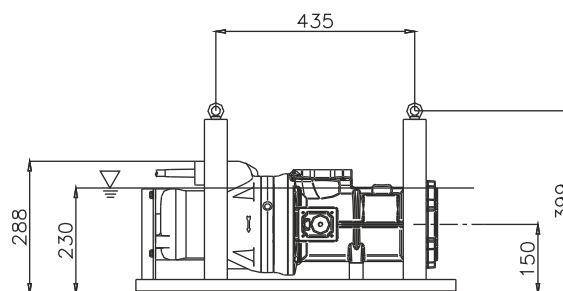
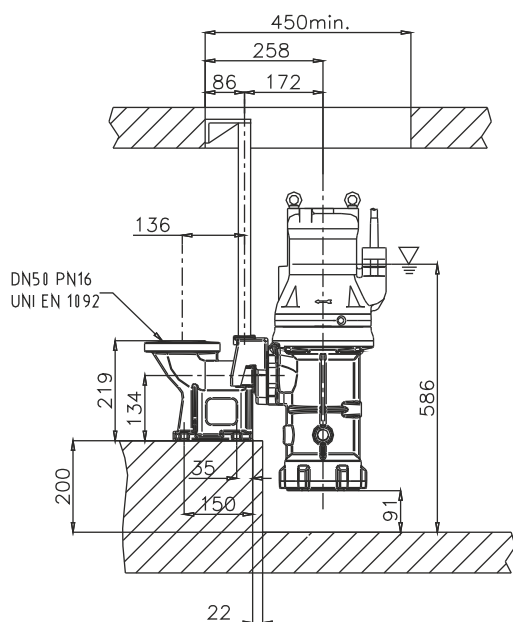
Curva caratteristica - Performance curve - Courbe caractéristique
Kennlinie - Curva característica - Характеристическая кривая



| Curve N° | Code | Type | MOTOR | | | ATEX code  |
|----------|---------|-----------------|---------------------|---------------------|-------------------------|---|
| | | | Rated power P2 (kW) | Rated current I (A) | Starting current Is (A) | |
| 1 | 7007886 | G409T1F1-K02AA2 | 1,9 | 3,7 | 16,7 | 7005739 |
| 2 | 7007890 | G409T1F2-K02AA2 | 2,8 | 5,4 | 24,3 | 7007028 |

| | |
|-------------------|---------------|
| Power supply | 3ph 400V-50Hz |
| R.P.M. | 1450 |
| Free passage (mm) | 02 |
| Discharge (mm) | DN 50 |
| Max Weight (Kg) | 75 |

Dimensioni - Dimensions - Dimensions - Abmessungen - Dimensiones - Габариты (mm)



▽ LIVELLO MINIMO DI SOMMERGIBILITÀ
 MINIMUM SUBMERSIBLE LEVEL
 NIVEAU MINIMUM D'IMMERSION
 MINDESTWASSERSTAND
 NIVEL SUMERGIBLE MÍNIMO
 МИНИМАЛЬНАЯ ГЛУБИНА ПОГРУЖЕНИИ