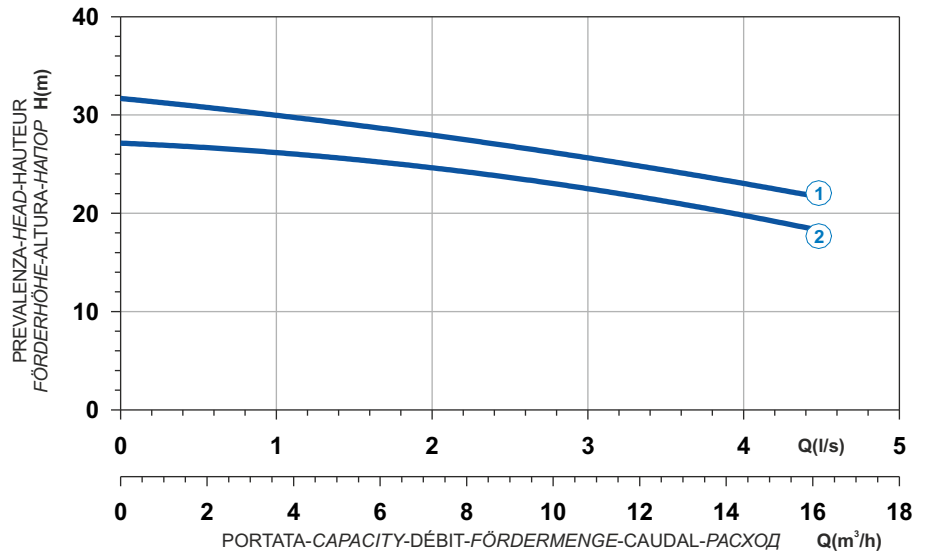




- Ghisa EN-GJL-250
- Cast Iron EN-GJL-250
- Fonte EN-GJL-250
- Grauguss EN-GJL-250
- Hierro fundido EN-GJL-250
- Чугун EN-GJL-250

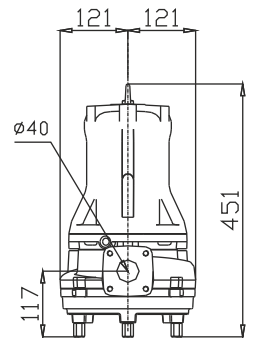
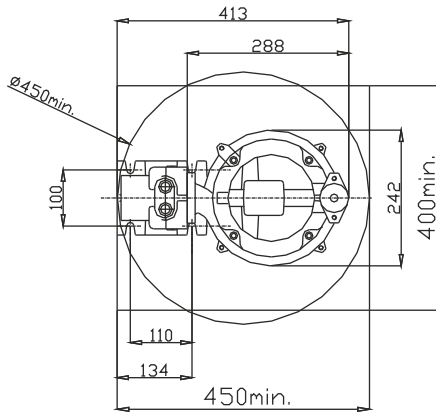
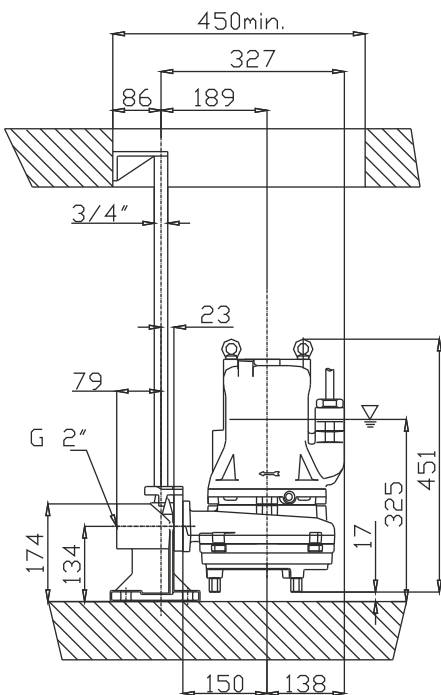
Curva caratteristica - Performance curve - Courbe caractéristique
Kennlinie - Curva característica - Характеристическая кривая



Power supply	3ph 400V 50Hz
R.P.M.	2850
Free passage (mm)	7
Discharge (mm)	DN 40
Max Weight (Kg)	52

Curve N°	Code	Type	MOTOR			ATEX code
			Rated power P2 (kW)	Rated current I (A)	Starting current Is (A)	
1	7001042	G209T6T1-J7AA0	3,1	5,8	34,2	7009498
2	7001041	G209T6T2-J7AA0	3,1	5,8	34,2	7002808

Dimensioni - Dimensions - Dimensions - Abmessungen - Dimensiones - Габариты (mm)



▽ LIVELLO MINIMO DI SOMMERGIBILITÀ
MINIMUM SUBMERSIBLE LEVEL
NIVEAU MINIMUM D'IMMERSION
MINDESTWASSERSTAND
NIVEL SUMERGIBLE MÍNIMO
МИНИМАЛЬНАЯ ГЛУБИНА ПОГРУЖЕНИЯ