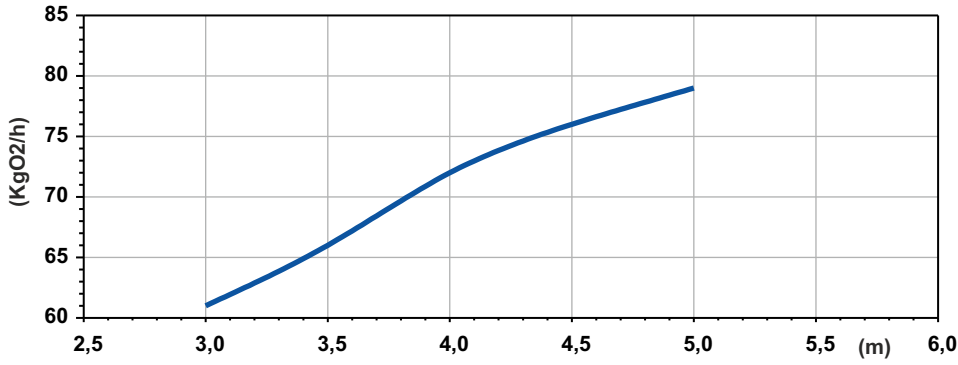
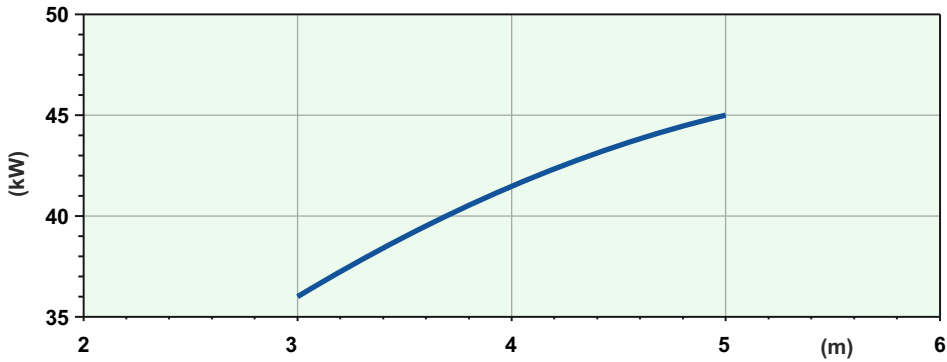


AJ500/LG420R440SA

SOTR



Potenza Assorbita - Absorbed Power P1
 Puissance Absorbée - Leistungsaufnahme P1
 Potencia Absorbida - Поглощенная мощность P1

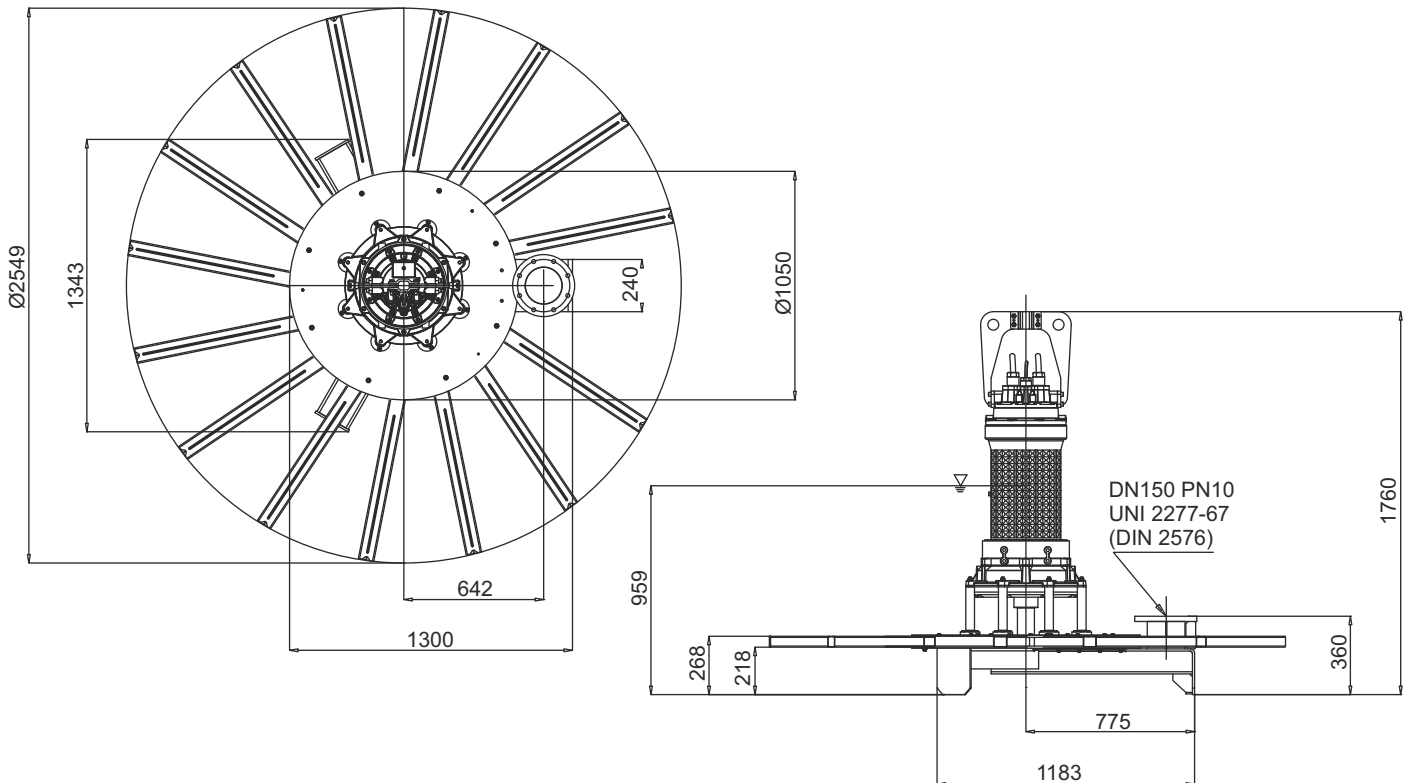


Battente idraulico - Hydraulic head - Charge hydraulique - Hydraulischen Belastung
 Cabezal hidráulico - Аспирированный воздух

Code	5006586
Type	AJ500/LG420R440SA
Suction (mm)	DN150
Free passage (mm)	40x50
Immersion depth (m)	3-5
Motor type	M420T-44-400/50YY-IE3
Power supply	3ph 400/690V-50Hz
MOTOR Rotation speed R.P.M.	1455
Rated power P2 (kW)	44
Rated current I (A)	78,1
Starting current Is (A)	461
Weight (Kg)	850
Cable	H07RN/F 2x4G10+4G2,5

SOTR OBTAINED FOLLOWING STANDARD UNI EN 12255-15:2004

Dimensioni - Dimensions - Dimensions - Abmessungen - Dimensiones - Габариты (mm)



LIVELLO MINIMO DI SOMMERGIBILITÀ - MINIMUM SUBMERSIBLE LEVEL - NIVEAU MINIMUM D'IMMERSION
 MINDESTWASSERSTAND - NIVEL SUMERGIBLE MÍNIMO - МИНИМАЛЬНАЯ ГЛУБИНА ПОГРУЖЕНИЯ